

Double Gate Assembly and Installation Instructions

NOTE: Instructions apply to installations that DO NOT need to comply with Pool Fencing Regulations.

Assembly

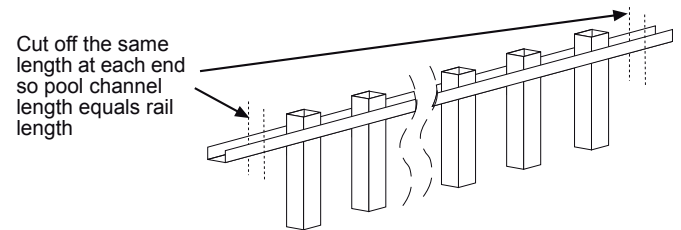
Poolside gates are generally 1.2m high and 0.935m wide. Other width gates can easily be made by increasing or decreasing the number of vertical bars and cutting the rail lengths to suit.

Components Per Gate -

- 2 Gate stiles
- 2 Rails
- 7 19mm square bars (7 bars for a 0.935 wide gate)
- 2 Pool channels
- 4 50mm square black caps
- 16 Tek screws painted

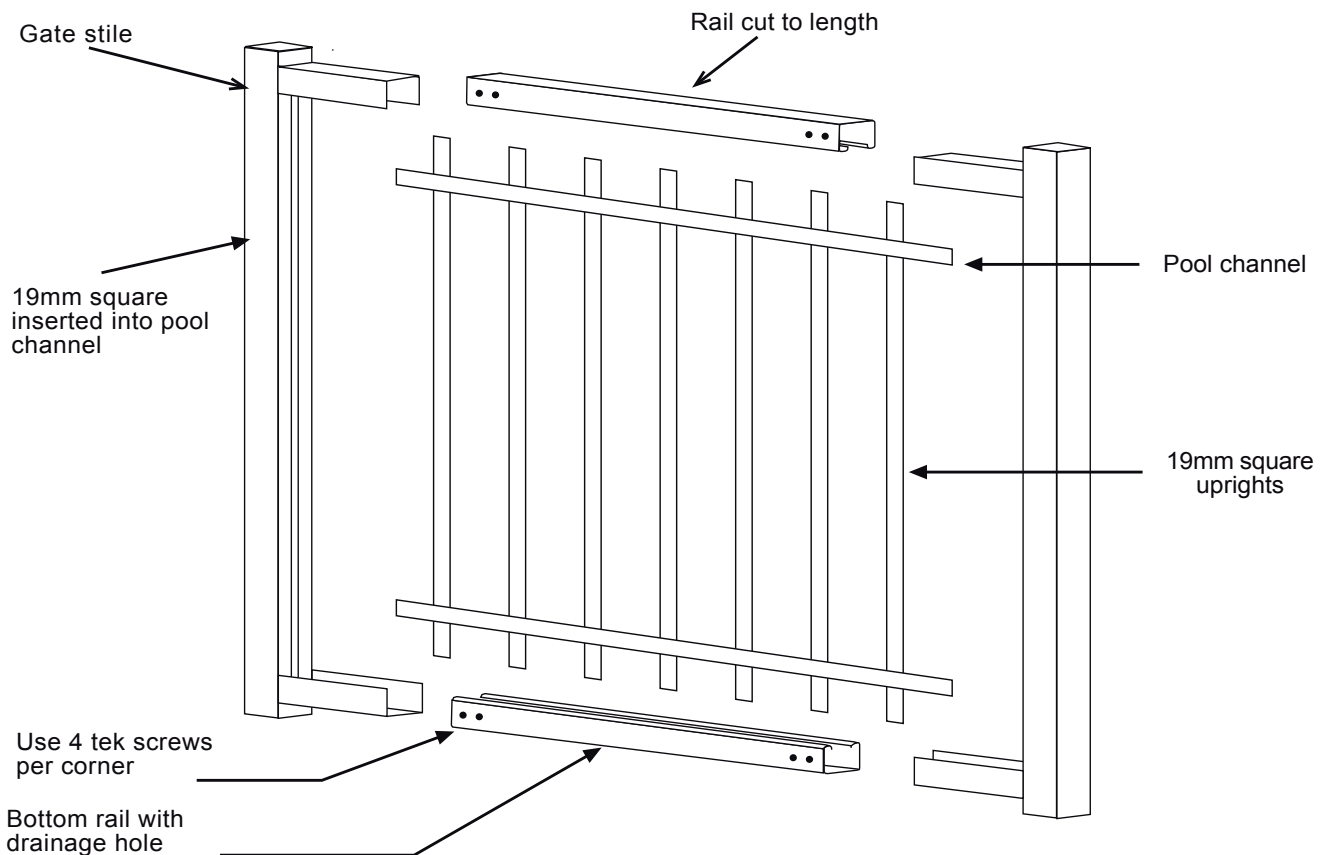
Step 1 - Cut rails to length using a hacksaw. Rails should be cut to the desired width of gate less 102mm. Ensure this cut is square and file burrs off. Wipe swarf off with a soft cloth.

Step 2 - Cut the pool channel to the same length as the rails using a hacksaw or tinsnips. Ensure the amount trimmed is the same each end. Wipe swarf off with a soft cloth.



Step 3 - Assemble panel as per pool fence panel assembly sheet.

Step 4 - Assemble stiles, rails and panel then tek screw rail to gate stile channel.



Double Gate Assembly and Installation Instructions

NOTE: Instructions apply to installations that DO NOT need to comply with Pool Fencing Regulations.

Components

- 2 Gate Posts 600mm longer than heights of gates
- 2 Gates
- 2 Pair stainless steel butt hinges
- 2 Long Cane Bolts
- 1 Stainless steel D-latch
- Tek screws and Caps

Step 1 - Concrete in gate posts while installing fencing. Be sure to set posts vertical and plumb using a good level. Make sure the opening gaps are correct. Measure both at the base and tops of the posts. Make sure the tops of posts are correct heights above the ground and level. Allow concrete around gate posts to harden at least over night before hanging the gates.

Step 2 - Fix the butt hinges to the gate first. Tek screw these on at approximately 100mm from the top and 100mm from the bottom. Initially fix hinges using only two tek screws per hinge. **It is recommended that the hinges be face mounted, as shown in the drawing below.**

Step 3 - Fix the first gate to the post. Support the gate on blocks so that the gate top is level with the top of the post, again use only two tek screws per hinge. Level gate before securing.

Step 4 - Now with the 2nd gate ensure the centre uprights are level before tek screwing hinges. Use only 2 tek screws per hinge initially, then check with a level before fixing remaining tek screws on all hinges.

Step 5 - Fix long cane bolts using stainless steel tek screws.

Step 6 - Fix D-latch using stainless steel tek screws, refer sketch.

